

High efficiency Doherty power amplifiers for modern wireless communication systems: A brief review

Mussa Mabrok¹, Zahriladha Zakaria², Tole Sutikno³

^{1,2}Center for Telecommunication Research and Innovation (CeTRI), Faculty of Electronics and Computer Engineering, Universiti Teknikal Malaysia Melaka (UTeM), Melaka, Malaysia

³Department of Electrical Engineering, Universitas Ahmad Dahlan, Yogyakarta, Indonesia

Article Info

Article history:

Received Jun 2, 2021

Revised Aug 8, 2021

Accepted Aug 23, 2021

Keywords:

5G

Back-off

Bandwidth efficiency

Doherty power amplifier

Peak to average power ratio

Signal clipping and distortion

Wireless communications

ABSTRACT

Due to the high peak to average power ratio (PAPR) of modern modulated signals, power amplifiers (PAs) have been forced to operate at the back-off (BO) region of their saturation power in order to avoid signal clipping and distortion. However, classical PAs suffer from low efficiency in the BO region operation. Therefore, efficiency has to be enhanced in that region. Many techniques have been proposed. Among them, the Doherty power amplifier (DPA) is considered as the most suitable technique due to its simple structure and high performance. However, its conventional design is limited to a 6 dB BO level, which does not satisfy the requirements of modern communication systems. In this paper, a brief review of the most significant techniques of high-efficiency DPA is presented. First, DPA topology and its operation principles are briefly discussed. Second, efficiency enhancement techniques such as an asymmetrical DPA, output combiner modification, gate bias adaption, offset line optimization, and multi-way DPA were discussed. The study shows that the most suitable, simple, and effective solution is an asymmetrical approach. However, it needs to be investigated in terms of bandwidth in order to meet the efficiency-bandwidth requirements of modern wireless communication systems such as 5G.

This is an open access article under the [CC BY-SA](https://creativecommons.org/licenses/by-sa/4.0/) license.



Corresponding Author:

Zahriladha Zakaria,

Center for Telecommunication Research and Innovation (CeTRI)

Faculty of Electronics and Computer Engineering

Universiti Teknikal Malaysia Melaka (UTeM)

Hang Tuah Jaya, 76100 Durian Tunggal, Melaka, Malaysia

Email: zahriladha@utem.edu.my

1. INTRODUCTION

Modern wireless communication systems use complex modulation schemes such as orthogonal frequency division multiplexing (OFDM) with high order quadrature amplitude modulation (QAM) to make better use of the available limited frequency spectrum in order to produce high data rates. However, those modulated signals are characterized by a high peak-to-average power ratio (PAPR), meaning that the waveform in the time domain presents rare peaks significantly higher than the average ones, as shown in Figure 1. In order to amplify modulated signals with a high PAPR, the PA's output power has to be backed-off from saturation by the same amount of PAPR. However, conventional PAs such as class AB suffer from low efficiency at the back-off (BO) region as their efficiency is determined at the maximum output power [1]. To solve this problem, efficiency has to be enhanced at the BO region. To do so, several techniques have been proposed, such as the outphasing power amplifier [2], Doherty amplifier [3], and sequential power amplifier [4]. Among the above-mentioned techniques, the Doherty power amplifier (DPA) is considered as

the most suitable technique due to its simple structure, ease of implementation, and high performance [5]-[9]. However, conventional DPAs can only maintain moderate efficiency at 6 dB BO level [10], which does not satisfy the requirements of modern wireless communication systems.

In this paper, we provide a brief overview of the most important BO's efficiency enhancement techniques proposed for improving the efficiency of conventional DPAs. The rest of the paper is organized as follows: section 2 provides a brief overview of the DPA topology and its operating principles. Section 3 explores the most significant efficiency enhancement techniques. Finally, a conclusion is drawn in section 4.

2. DOHERTY POWER AMPLIFIER

The Doherty amplifier was invented by Doherty in 1936 [3]. It consists of two amplifiers called the main (carrier) amplifier and the auxiliary (peaking) amplifier connected in parallel and biased in class-AB and Class-C respectively, as shown in Figure 2. Both amplifiers are connected through a quarter-wavelength impedance inverter which acts as a load modulation network. The phase difference generated by the impedance inverter is compensated at the input of the peaking stage using a delay line. Offset lines are used at the output of the main and auxiliary amplifiers. The main DPA's offset line is used to enhance its efficiency at the BO (*i.e.* when the peaking is off), while the auxiliary's offset line is used to prevent power leakage from the main path during the off-state. A power divider is used at the input to divide the power to both amplifiers. Matching network is used at the output of the DPA to match the impedance at the combining point to the 50-ohm system impedance. The working principle of DPA is as follows: In the low power region, only the main stage is working while the peaking is off. Until a certain power level (break point), when the main amplifier reaches its saturation state, the auxiliary turns on and starts to conduct the current. In this way, the BO's efficiency could be enhanced.

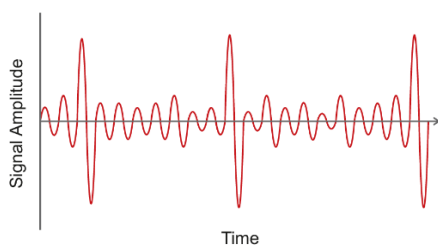


Figure 1. High peak-to-average power ratio signal in the time Domain [1]

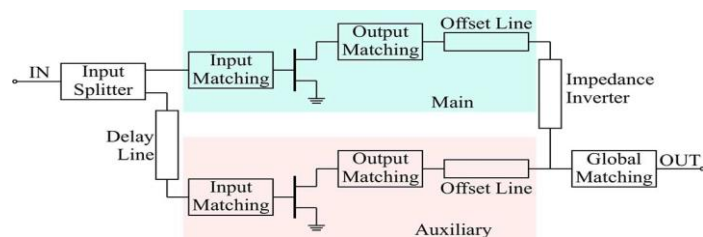


Figure 2. Block diagram of standard DPA [3]

3. EFFICIENCY ENHANCEMENT TECHNIQUES

Standard DPAs have shown a good efficiency performance at 6 dB BO level. However, modern wireless communication systems ask for BO levels in the range of 8-12 dB BO. Therefore, different approaches have been proposed in the literature to enhance the efficiency at a large BO. In this section, we will critically review a variety of innovative designs, describing their advantages and limitations.

3.1. Asymmetrical DPA

To compensate for the low current delivered by the peaking stage, an asymmetrical DPA has been proposed in [11]-[15]. In [11], the asymmetrical operation is achieved by using two times larger transistor for the peaking stage to overcome low power and imperfect load modulation. Although this work has better linearity and good efficiency, around 5% higher than the conventional DPA [3]. However, using very large transistors leads to increasing the production cost. Furthermore, the low current peaking stage issue cannot be completely resolved [12]. To solve this problem, an uneven power divider approach has been proposed [12]. In this method, the power divider is designed to deliver power to the auxiliary branch more than that delivered to the main branch to compensate for its low current. In this way, the same current from both amplifiers can be delivered and proper load modulation can be achieved. As a result, proper load modulation can be achieved, leading to the BO's enhancement. In spite of that, the low power delivered to the main amplifier has resulted in a low gain. As a result, because the full DPA's gain is primarily dependent

on the gain of the main amplifier. Therefore, the full DPA's gain and output power are reduced. Another method of achieving asymmetrical DPA is to feed the peaking stage with a high drain bias voltage greater than that of the carrier amplifier, as in [13], [14], and [15]. According to the study in [12], by lowering the carrier amplifier's drain voltage, the BO's efficiency is increased by 3.43% when compared to the conventional DPA. However, the maximum output power is reduced. This is due to the low bias voltage of the carrier amplifier, which leads to a low gain and output power. As a result, the overall DPA's gain and output power is reduced.

3.2. Output combiner modification

Another good investigation in the literature has been given to the modification and optimization of the output combiner of the conventional DPA. In the work of [16], characteristic impedances of load modulation network (impedance inverter and global matching) are adjusted to solve the problem of incomplete load modulation caused by current unbalance between carrier and peaking amplifiers. Measurements results show an efficiency enhancement of 8% and 13% at saturation and BO respectively, when compared with the conventional DPA. In [17], the characteristic impedance of the output matching network is modified based on the current and power ratios between the carrier and the peaking amplifier in order to achieve correct load modulation and enhance the efficiency. A prototype was developed at 3.45 GHz using symmetrical devices and even power divider. The efficiency is improved by 2-3% with respect to the conventional DPA. A different approach is proposed in [18], where the load modulation network of the conventional DPA is replaced with two quarter-wavelength impedance transformers and a shunted reactive load for efficiency-bandwidth enhancement simultaneously, as shown in Figure 3. The proposed circuit is fabricated and measured for validation purposes. Although the measured results showed an improvement in efficiency at the BO level. However, it is still limited to 6 dB BO.

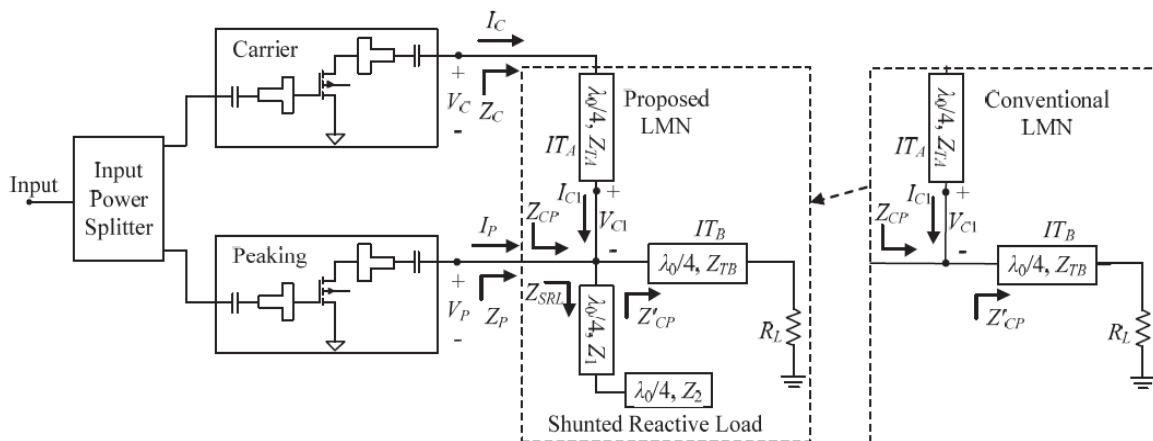


Figure 3. Block diagram of the DPA presented in [18]

3.3. Multi-way DPA

The Multi-way DPA consists of a number (N) of identical devices (N>2), one for the carrier stage and N-1 for the peaking stage, as shown in Figure 4 [12]. Unlike the conventional two-way DPA, which has two peak efficiencies, one at the BO and the other at the peak output power. Additional peaks at different BO levels can be produced by a multi-way DPA based on the number of the peaking devices. For example, the 3-way DPA can introduce three peaks, two at different BO points and one at the peak. By introducing additional BO levels, the efficiency of the BO will be extended. The work of [19] implements a 3-way DPA using three 30 watt devices, one for the carrier and two for two separate peaking amplifiers. The measured results show drain efficiency of 28-33% at 8-10 dB BO. Another 3-way DPA is presented in [20] with a high BO level of 12 dB. However, it requires a complex mixed signal setup to control the input power of the amplifiers. The work of [21] proposed a 3-way DPA with a high BO level of 11.7 dB without the need for a complicated mixed-signal setup. Unlike the conventional asymmetrical three-way DPA where three identical devices are used, the work of [22] proposed a symmetrical approach where one 60 W transistor is used for the carrier amplifier and two 30 watts are used for the peaking amplifiers. The proposed design achieves an efficiency of 33.7% at 6.5 dB BO. Although the achieved BO is low when compared to the conventional three-way DPA. However, it is considered a cost-effective design and is suitable for modulated signals that

apply PAPR's reduction techniques. Multi-way DPAs have shown a significant improvement in efficiency at high BO levels. However, it contributes to increasing the circuit size and production cost as multi-devices (transistors) are required.

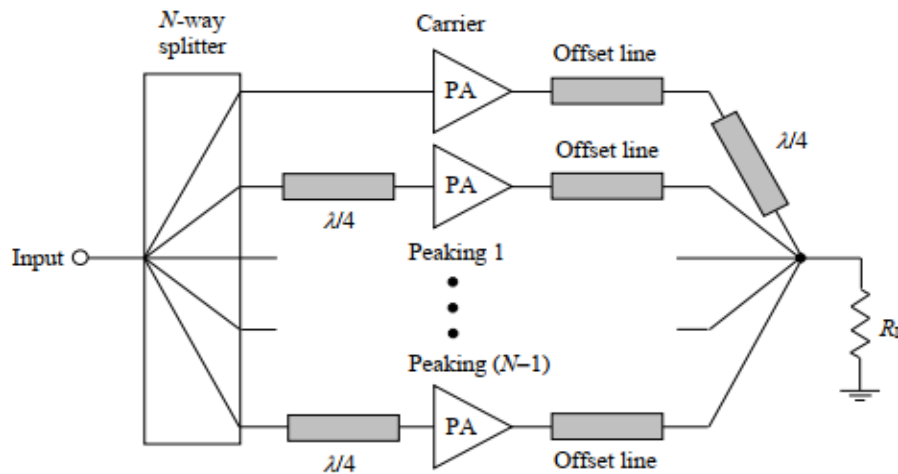


Figure 4. Block diagram of multi-way DPA [23]

3.4. Other techniques

Other techniques are proposed in the literature, such as switched-mode DPAs. In the work of [24], the conventional Class AB-C DPA is replaced with the Class-F, as shown in Figure 5. The measured results show a high efficiency of 50% is achieved at 7 dB BO, which is 8% higher with respect to the conventional DPA. However, the Class-F PAs suffer from nonlinearity issues due to operating in saturation mode [25]. Therefore, digital pre-distortion (DPD) combined with PAPR reduction techniques are applied to meet the linearity requirements. In other work [26], a blended class-EF mode is proposed. Load-pull analysis is used to determine the load impedance at the fundamental frequency. Whereas, load impedance at harmonic frequency is set according to class-EF requirements. The proposed design achieves high efficiency at both peak output power and at the BO region. The measured results show efficiency of 81.3% and 68% at both the peak and BO regions, respectively. The Gate bias adaptation technique was proposed in [10] to solve the problem of BO's efficiency degradation of the conventional DPA. In this technique, the gate biases of both amplifiers are adaptively adjusted as the input power increases by using an external control circuit to achieve proper load modulation [12]. The work of [10] proposed DPA implemented gate bias adaptation technique. The gate bias of the carrier is controlled so that the peak power with the optimum load is increased. The measured results show high efficiency, over 62% at 6 dB BO. The work of [27] optimized the carrier's offset line to compensate for phase mismatch at the BO associated with conventional DPA. The characteristic impedances of the carrier's offset line and impedance inverter are set to $R_0/2$, which is the same load impedance at the BO, instead of R_0 in conventional DPAs. In this way, the design sensitivity is moved from the BO region, which is more important for modulated signals with high PAPR, to the peak region. The proposed design achieves a high efficiency of 60.7% at 6.5 dB BO, while showing a degradation of peak output power of less than 0.01 dBm. Significant progress in BO extension is shown in [28], where a large BO level of 15 dB is achieved. By controlling the input power of the carrier DPA, the variation range of its optimum output impedance can be reduced and the efficiency over a large OBO could be enhanced. For verification, the prototype was developed at 2.56 GHz using gallium nitride high electron mobility transistor (GaN HEMT) devices. Measurement results show a DE of 58-63% at 15 dB OBO with an average output power of 28 dBm. Although a large BO level is achieved in this work. On the other hand, the proposed design needed to be tested to verify its linearity performance. In contrast to conventional DPAs, load modulation is achieved in [29], [30] without the use of a quarter-wavelength impedance inverter. In this design, the impedance seen by the main amplifier is modulated according to the current contributed by the peaking amplifier. The proposed design achieves an efficiency of 50% at 6 dB BO and it can contribute to reducing the occupied area.

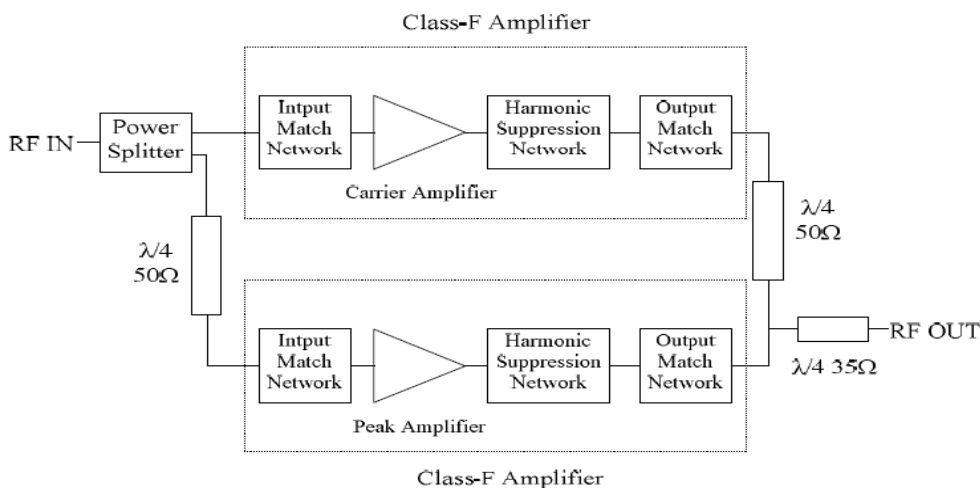


Figure 5. Class-F Doherty power amplifier [24]

4. CONCLUSION

In conclusion, the most recent literature on efficiency enhancement techniques of the Doherty power amplifier has been reviewed and critically discussed. The main drawback of each technique has been highlighted. Different techniques have been discussed, such as an asymmetrical DPA, output combiner modification, multiway DPA, continuous-mode DPAs, gate bias adaption, and offset line optimization. Among the proposed techniques, asymmetrical approach can be considered as a simple and straightforward solution to enhance the BO's efficiency. However, it has a limited bandwidth. As a result, bandwidth extension technique can be used in conjunction with it to evaluate the efficiency over a wide-bandwidth.

ACKNOWLEDGEMENTS

The authors gratefully acknowledge Universiti Teknikal Malaysia Melaka (UTeM) under the Zamalah Scheme for supporting this research work, and Universitas Ahmad Dahlan to support this collaborative research.

REFERENCES

- [1] C. Ramella, A. Piacibello, R. Quaglia, V. Camarchia, and M. Pirola, "High Efficiency Power Amplifiers for Modern Mobile Communications: The Load-Modulation Approach," *Electronics*, vol. 6, no. 4, p. 96, Nov. 2017, doi: 10.3390/electronics6040096.
- [2] H. Chireix, "High Power Outphasing Modulation," in *Proceedings of the Institute of Radio Engineers*, vol. 23, no. 11, pp. 1370-1392, Nov. 1935, doi: 10.1109/JRPROC.1935.227299.
- [3] V. Camarchia, M. Pirola, R. Quaglia, S. Jee, Y. Cho and B. Kim, "The Doherty Power Amplifier: Review of Recent Solutions and Trends," in *IEEE Transactions on Microwave Theory and Techniques*, vol. 63, no. 2, pp. 559-571, Feb. 2015, doi: 10.1109/TMTT.2014.2387061.
- [4] S. Cripps, "RF power amplifiers for wireless communications," Artech House, 2006.
- [5] K. Kato *et al.*, "A 83-W, 51% GaN HEMT Doherty power amplifier for 3.5-GHz-band LTE base stations," *2016 46th European Microwave Conference (EuMC)*, 2016, pp. 572-575, doi: 10.1109/EuMC.2016.7824407.
- [6] J. Zhou, W. Chen, L. Chen and Z. Feng, "3.5-0Hz High-Efficiency Broadband Asymmetric Doherty Power Amplifier for 5G Applications," *2018 International Conference on Microwave and Millimeter Wave Technology (ICMMT)*, 2018, pp. 1-3, doi: 10.1109/ICMMT.2018.8563718.
- [7] A. M. Abdulkhaleq *et al.*, "A 70-W Asymmetrical Doherty Power Amplifier for 5G Base Stations," *9th International Conference on Broadband Communications, Networks, and Systems*, 2018, doi: 10.1007/978-3-030-05195-2_44.
- [8] N. Watanabe, J. Wong, A. Grebenniko and G. Nishio, "A High-Efficiency 4.35-4.85 GHz Doherty Amplifier for Base Station Applications," *2018 Asia-Pacific Microwave Conference (APMC)*, 2018, pp. 992-994, doi: 10.23919/APMC.2018.8617418.
- [9] M. Mabrok, Z. Zakaria, and H. Alsariera, "Review of Recent Trends on Power Amplifier Design for Modern Communication Systems," *International Journal on Communications Antenna and Propagation (IRECAP)*, vol. 10, no. 2, pp. 67-83, 2020, doi: 10.15866/irecap.v10i2.17679.
- [10] Y. Park, J. Lee, S. Jee, S. Kim and B. Kim, "Optimized Doherty power amplifier with a new offset line," *2015 IEEE MTT-S International Microwave Symposium*, 2015, pp. 1-4, doi: 10.1109/MWSYM.2015.7166743.

- [11] J. Kim, B. Fehri, S. Boumaiza, and J. Wood, "Power efficiency and linearity enhancement using optimized asymmetrical Doherty power amplifiers," *IEEE Trans. Microw. Theory Tech.*, vol. 59, no. 2, pp. 425–434, 2011, doi: 10.1109/TMTT.2010.2086466.
- [12] B. Kim, *Doherty Power Amplifiers from Fundamentals to Advanced Design Methods*, Academic Press, 1st edition, 2018.
- [13] D. Y. Wu and S. Boumaiza, "A Mixed-Technology Asymmetrically Biased Extended and Reconfigurable Doherty Amplifier with Improved Power Utilization Factor," in *IEEE Transactions on Microwave Theory and Techniques*, vol. 61, no. 5, pp. 1946–1956, May 2013, doi: 10.1109/TMTT.2013.2252188.
- [14] D. Gustafsson, C. M. Andersson and C. Fager, "A novel wideband and reconfigurable high average efficiency power amplifier," *2012 IEEE/MTT-S International Microwave Symposium Digest*, 2012, pp. 1-3, doi: 10.1109/MWSYM.2012.6259573.
- [15] J. Pang, S. He, Z. Dai, C. Huang, J. Peng and F. You, "Design of a Post-Matching Asymmetric Doherty Power Amplifier for Broadband Applications," in *IEEE Microwave and Wireless Components Letters*, vol. 26, no. 1, pp. 52-54, Jan. 2016, doi: 10.1109/LMWC.2015.2505651.
- [16] S. Chen and Q. Xue, "Optimized Load Modulation Network for Doherty Power Amplifier Performance Enhancement," in *IEEE Transactions on Microwave Theory and Techniques*, vol. 60, no. 11, pp. 3474–3481, Nov. 2012, doi: 10.1109/TMTT.2012.2215625.
- [17] J. Xia, X. Zhu, L. Zhang, J. Zhai and Y. Sun, "High-Efficiency GaN Doherty Power Amplifier for 100-MHz LTE-Advanced Application Based on Modified Load Modulation Network," in *IEEE Transactions on Microwave Theory and Techniques*, vol. 61, no. 8, pp. 2911–2921, Aug. 2013, doi 10.1109/TMTT.2013.2269052.
- [18] Wa Kong, Jing Xia, Da-Wei Ding, Li-Xia Yang, Chao Yu, and Yongzhao Zhan, "A Wideband Doherty Power Amplifier with Shunted Reactive Load for Efficiency Enhancement," *Progress In Electromagnetics Research C*, Vol. 74, pp. 151-160, 2017, doi:10.2528/PIERC17031703.
- [19] S. M. Wood, R. S. Pengelly and M. Suto, "A high power, high efficiency UMTS amplifier using a novel Doherty configuration," *Radio and Wireless Conference, 2003. RAWCON '03. Proceedings*, 2003, pp. 329-332, doi: 10.1109/RAWCON.2003.1227959.
- [20] W. C. E. Neo, J. Qureshi, M. J. Pelk, J. R. Gajadharsing and L. C. N. de Vreede, "A Mixed-Signal Approach Towards Linear and Efficient N-Way Doherty Amplifiers," in *IEEE Transactions on Microwave Theory and Techniques*, vol. 55, no. 5, pp. 866-879, May 2007, doi: 10.1109/TMTT.2007.895160.
- [21] H. Golestaneh, F. Arfaei Malekzadeh and S. Boumaiza, "Three-way Doherty power amplifier for efficient amplification of wideband signals with extended PAPR," *2014 IEEE Radio and Wireless Symposium (RWS)*, 2014, pp. 136-138, doi: 10.1109/RWS.2014.6830163.
- [22] H. Kang *et al.*, "Symmetric Three-Way Doherty Power Amplifier for High Efficiency and Linearity," in *IEEE Transactions on Circuits and Systems II: Express Briefs*, vol. 64, no. 8, pp. 862-866, Aug. 2017, doi: 10.1109/TCSII.2016.2609460.
- [23] J. Wong, N. Watanabe and A. Grebennikov, "High-Power High-Efficiency GaN HEMT Doherty Amplifiers for Base Station Applications," *IEICE Transactions on Electronics*, 2021, doi: 10.1109/PAWR.2018.8310055.
- [24] C. Fan, X. Zhu, J. Xia and L. Zhang, "Efficiency enhanced Class-F Doherty power amplifier at 3.5GHz for LTE-Advanced application," *2013 Asia-Pacific Microwave Conference Proceedings (APMC)*, 2013, pp. 707-709, doi: 10.1109/APMC.2013.6694963.
- [25] M. Sajedin, I. T. E. Elfergani, J. Rodriguez, R. Abd-Alhameed, and M. F. Barciela, "A Survey on RF and Microwave Doherty Power Amplifier for Mobile Handset Applications," *Electronics*, vol. 8, no. 6, p. 717, Jun. 2019, doi: 10.3390/electronics8060717.
- [26] A. Barakat, M. Thian and V. Fusco, "A High-Efficiency GaN Doherty Power Amplifier with Blended Class-EF Mode and Load-Pull Technique," in *IEEE Transactions on Circuits and Systems II: Express Briefs*, vol. 65, no. 2, pp. 151-155, Feb. 2018, doi: 10.1109/TCSII.2017.2677745.
- [27] Y. Park, J. Lee, S. Jee, S. Kim and B. Kim, "Gate Bias Adaptation of Doherty Power Amplifier for High Efficiency and High Power," in *IEEE Microwave and Wireless Components Letters*, vol. 25, no. 2, pp. 136-138, Feb. 2015, doi: 10.1109/LMWC.2014.2373637.
- [28] T. Qi and S. He, "Design of high efficiency Doherty power amplifier applying power controlling technology with 15dB output power back-off," *2017 47th European Microwave Conference (EuMC)*, 2017, pp. 576-579, doi: 10.23919/EuMC.2017.8230913.
- [29] A. M. Abdulkhaleq *et al.*, "Load-modulation technique without using quarter-wavelength transmission line," *IET Microwaves, Antennas Propag.*, vol. 14, no. 11, pp. 1209-1215, Sep. 2020, doi: 10.1049/iet-map.2019.0957.
- [30] A. M. Abdulkhaleq *et al.*, "A Compact Load-Modulation Amplifier for Improved Efficiency Next Generation Mobile," *2020 50th European Microwave Conference (EuMC)*, 2021, pp. 1091-1094, doi: 10.23919/EuMC48046.2021.9337980.